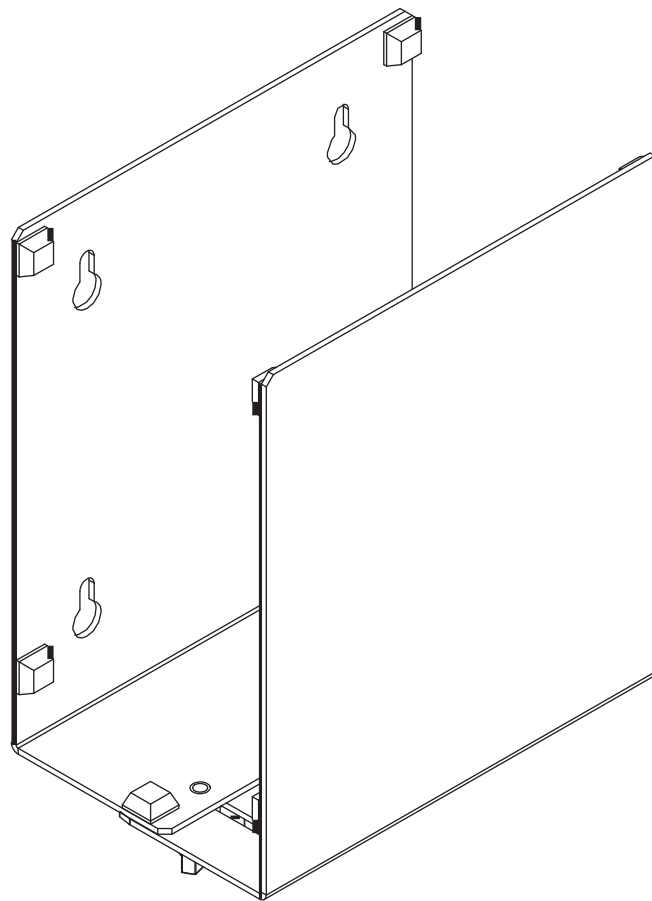




# T90-WMB

For use with T90-700, T90-1000, T90-1500, T90i-1500, T90-15HW

User & Installation Manual



T90-WMB

## Kit Contents

### Assembly Components:

- (1) Wall Bracket
- (1) Clamp Bracket
- (2) Adjustment Knobs

### Wall Mount Hardware Package:

- (4) Pan Head Screws
- (4) Anchors

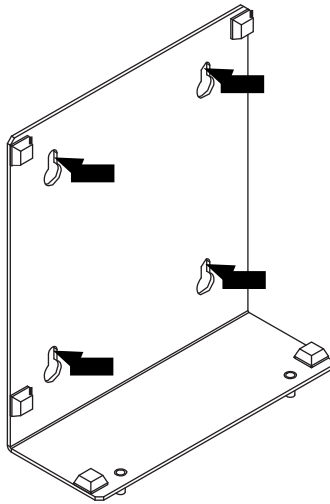
## Wall Mount Installation Instructions

### Step 1

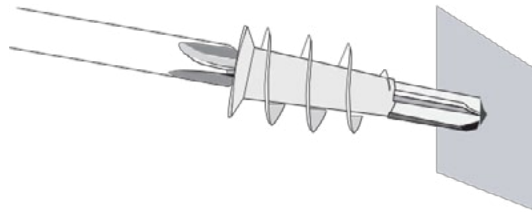
Determine Location: Select appropriate location on wall. Consider cable routing and length.

### Step 2

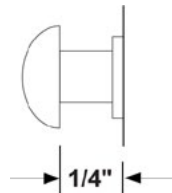
Mark Hole Positions: Hold Wall Bracket in position and mark 4 hole positions with pencil.

**Step 3a**

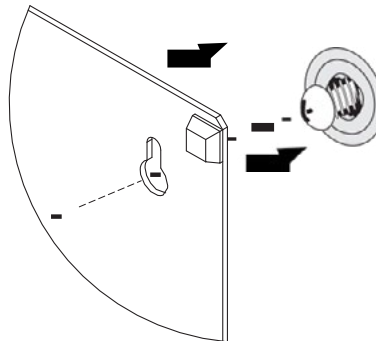
Install Drywall Anchor: Install one drywall anchor at each hole mark. Using a #2 Phillips head screwdriver press the anchor into the drywall while turning clockwise until it is seated flush with the wall.

**Step 3b**

Install 4 Screws: Leave 1/4" of each screw out of wall.

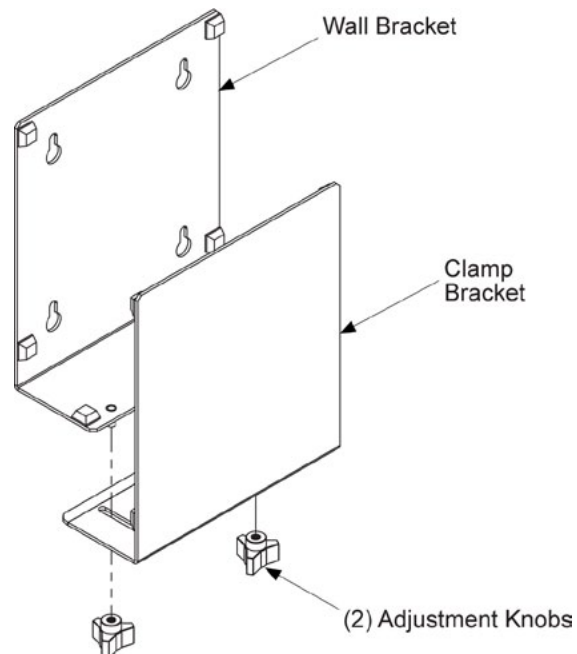
**Step 4**

Attach Wall Bracket: Attach Wall Bracket to wall using the 4 screws that were installed in 3b. Tighten Securely.

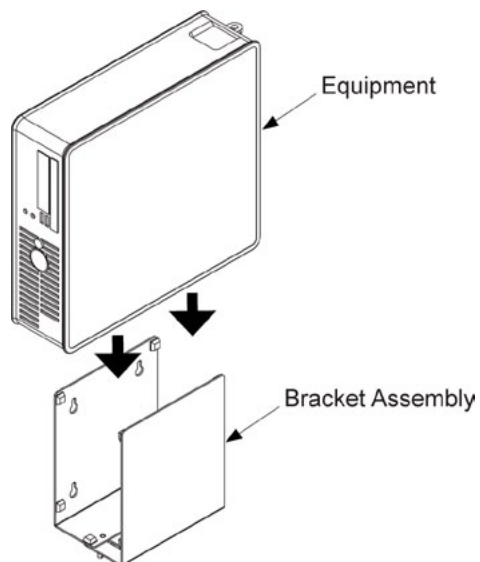


**Step 5**

Install Clamp Bracket: Slide Clamp Bracket onto the Wall Bracket then install the Adjustment Knobs as shown. Pull Clamp Bracket out from the wall as far as possible. Do not tighten the Adjustment Knobs at this time.

**Step 6**

Install Equipment: Slide equipment into Bracket Assembly as shown. See table below for minimum and maximum equipment widths.



**Step 7**

Secure Equipment: Push Clamp Bracket firmly against the equipment, then fully tighten Adjustment Knobs

