



SNMP-EMD

Environmental Monitoring Device

User & Installation Manual

Table of Contents

Product Outlook..... 3

Product Introduction..... 3

Function Diagram..... 4

Installation.....4

 Inspection.....4

 Pre-Installation.....4

 Wall Mounting.....5

 Connect to Power.....5

 SNMP Connection..... 5

 Operation.....6

Monitoring Software Operation.....6

 Software Installation..... 6

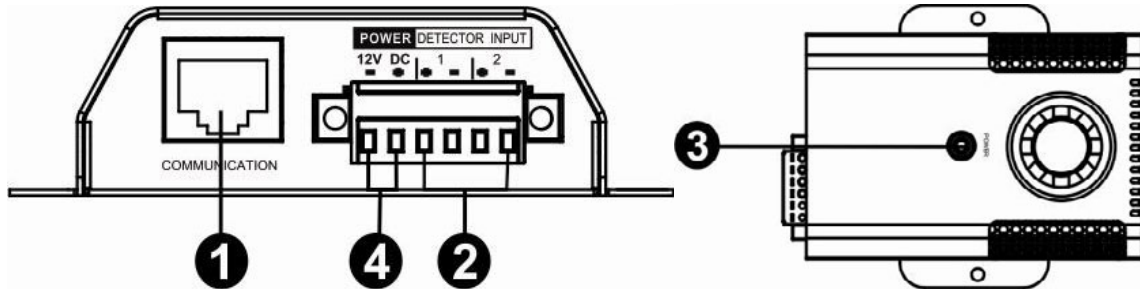
 Operation.....6

Troubleshooting.....8

Specifications.....9

Input Dry Contact Terminal.....9

Product Outlook



1. Communication port
2. Input dry contact terminal
3. Device status indicator
4. DC input connector

Product Introduction

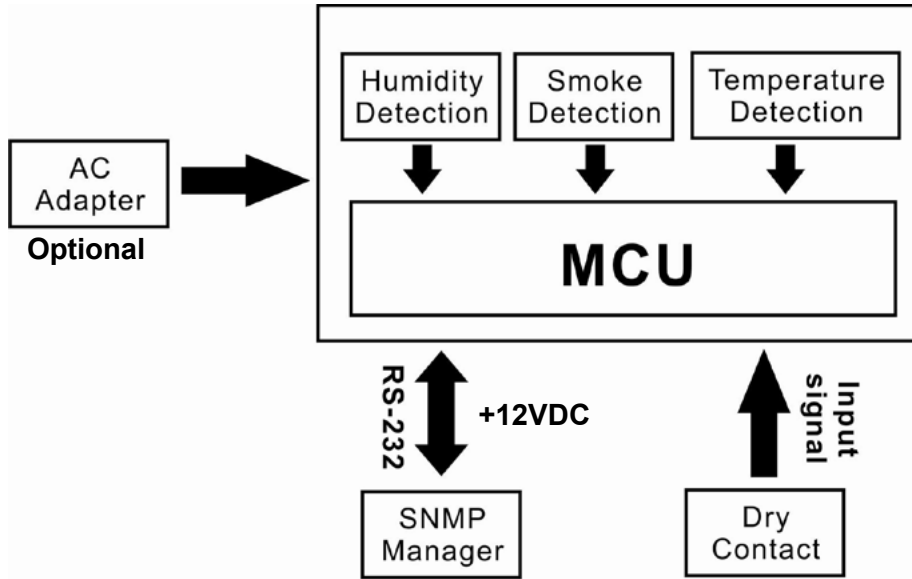


SNMP-EMP

This environmental monitoring device (EMD) is a connectivity device to remote monitor temperature, humidity, and smoke via SNMP manager. It also provides two dry contacts to receive signals from up to 2 compatible devices such as security system and alarm system.

- Plug & use for simple installation with SNMP manager
- Monitor temperature and humidity to protect your precious equipment
- Allow two contact closure signals for userdefined usage
- Management software to remote monitor temperature and humidity status via web browser
- Measure temperatures between 0 to 100°C with an accuracy of $\pm 1.5^{\circ}\text{C}$
- Measure relative humidity between 10 to 90% RH with an accuracy of $\pm 3\%$

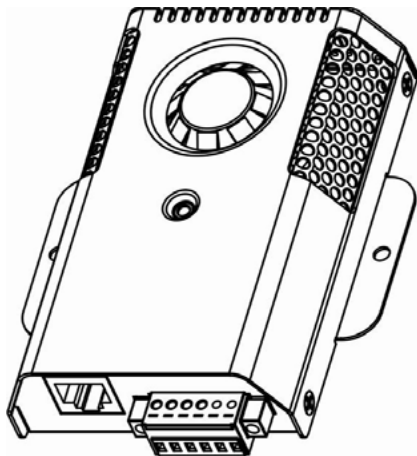
Function Diagram



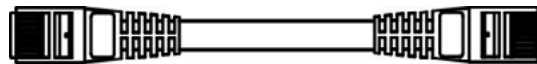
Installation

Inspection

Before installation, please inspect the unit. Be sure that nothing inside the package is damaged. You will find following items inside of package:



Environmental monitoring device



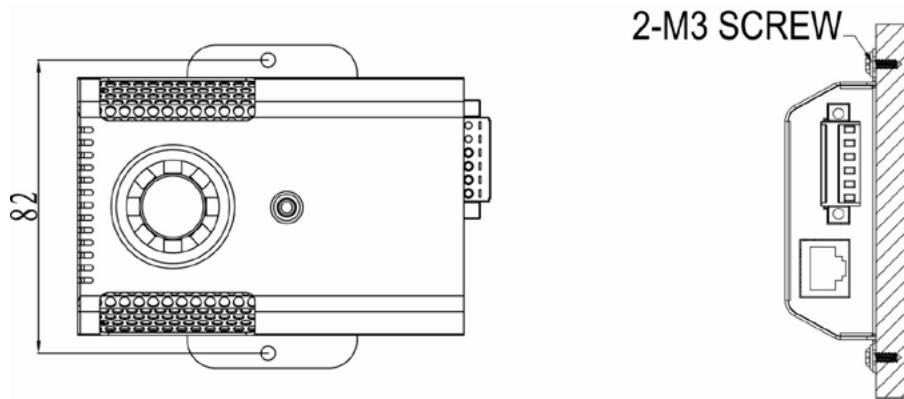
3m length of network cable

Pre-Installation

Before making connection to environmental monitor device, make sure the UPS is already installed with SNMP manager. Please check SNMP manager for SNMP card installation.

Wall Mounting

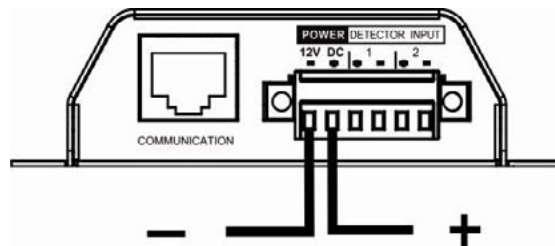
- Step 1:** Use a vertical line and the length of the line must be 82 mm and mark the two ends on the wall.
- Step 2:** Drill two marks by screws.
- Step 3:** Mount the unit by positioning the keyhole slots over the mounting screws.



Connect to Power

Follow the image below to connect 12VDC power source. If connecting to SNMP card, there is power from SNMP card and no need for external power source

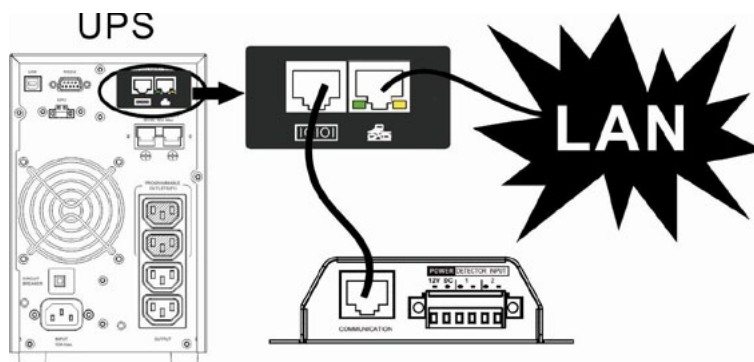
Note: To guarantee safety operation, please use the appropriate DC wire with UL2468 #24AWG spec.



SNMP Connection

Connect supplied network cable from communication port of environmental monitor device to RS232 port of SNMP manager. Use another network cable to connect from RS485 port of SNMP manager to LAN.

Note: If supplied network cable is not long enough for your application, you may substitute another longer cable (not exceed 15m).



Operation

After making connection, green LED will light up and the unit starts to operate.

Monitoring Software Operation

Software Installation

After unit is connected well, please follow below steps to install monitoring software from the internet.

1. Go to the website <http://www.powersoftwaredownload.com>
2. Click ViewPower Pro software icon and then choose your required OS to download the software.
3. Follow the onscreen instructions to install the software.
4. When your computer restarts, the monitoring software will appear as an orange plug icon located in the system tray, near the clock.

Operation

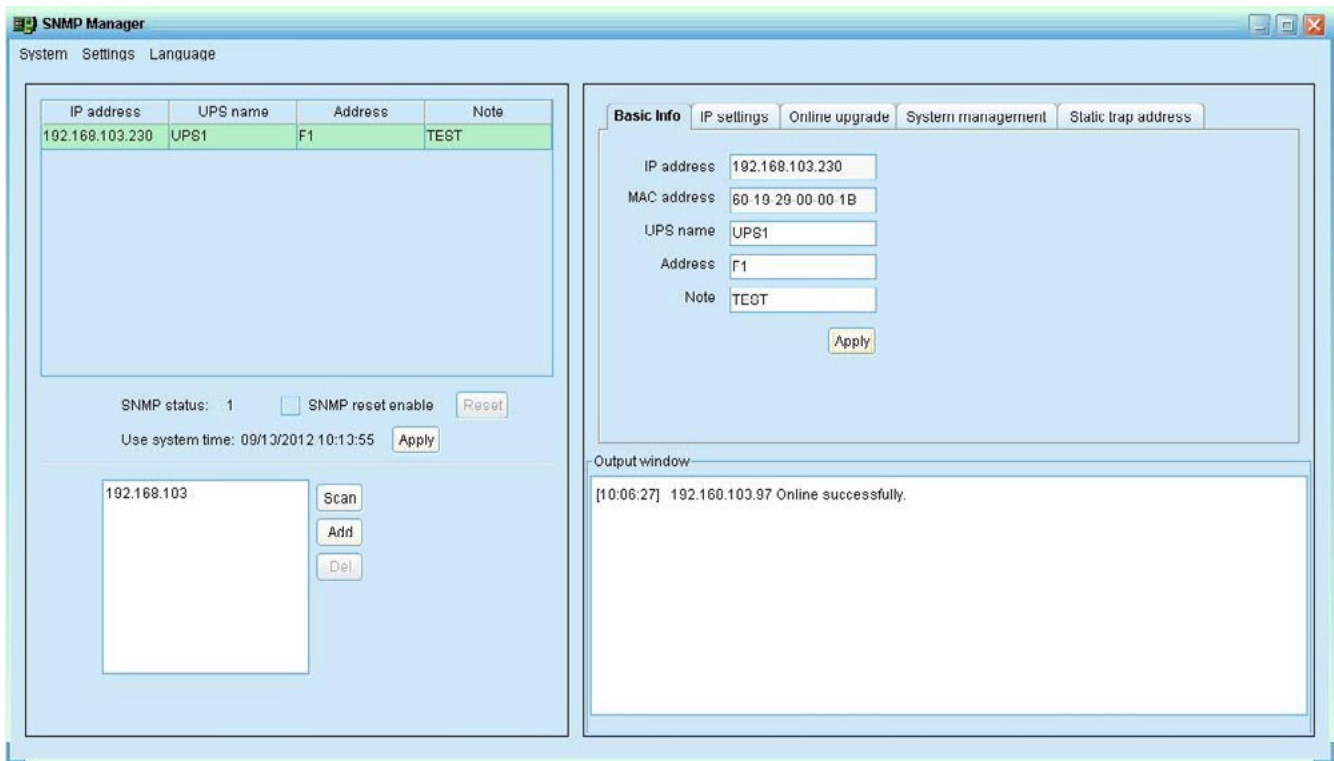
Step 1: Double click "ViewPower Pro" icon to launch the software.



Step 2: SNMP manager will be automatically activated. Select "SNMP manager" by clicking right button of the mouse.



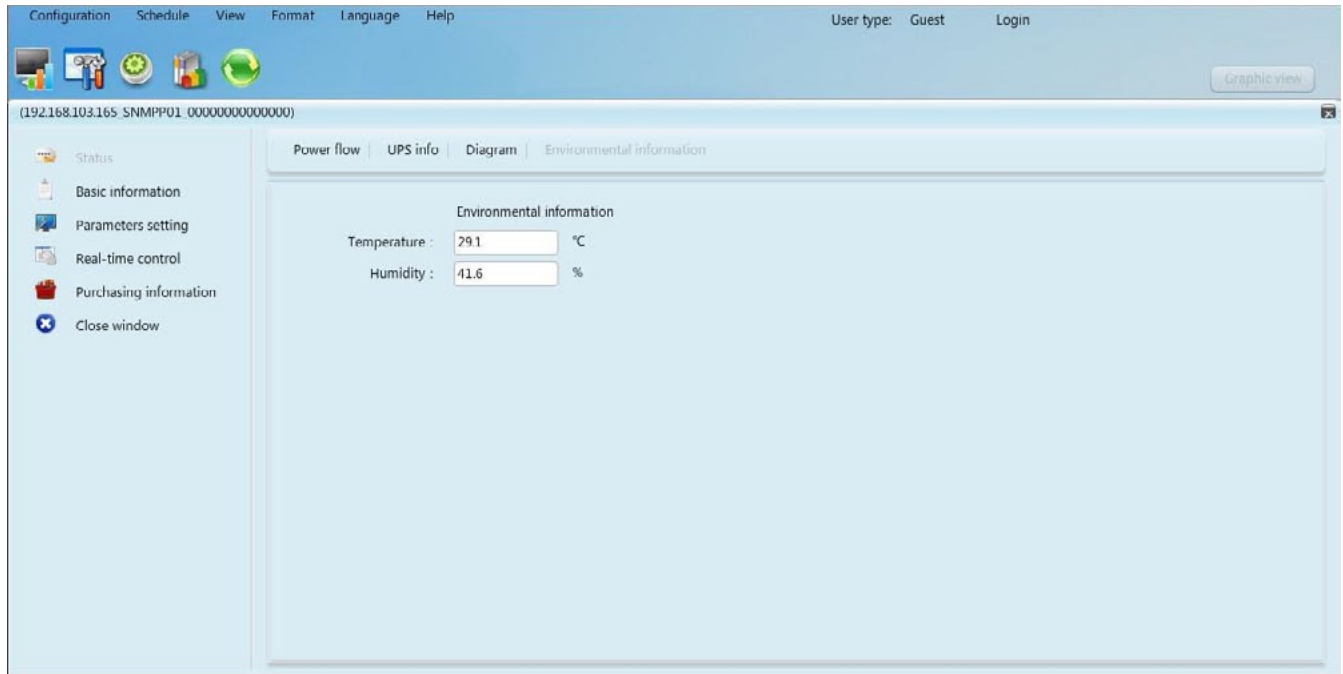
Step 3: Enter specific IP address to search all SNMP devices in LAN. The SNMP manager will automatically collect the IP address from sever by default via a DHCP server.



Step 4: After SNMP manager is successfully detected by SNMP manager, select “Open Monitor” by clicking right button of the mouse.



Step 5: When launching ViewPower Pro software, click “Environmental information” icon to view status.



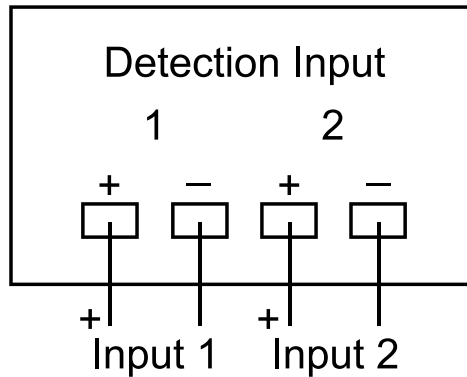
Troubleshooting

Problem	Possible Cause	Solutions
It displays 0 in the environmental information section of software.	SNMP card is not connected well.	Make sure SNMP card is firmly connected in the UPS.
	Network cable or DC input connection is not connected well.	Make sure network cable is connected well and DC input connection is well.
LED is not lighting or LED is flashing.	Input power is not stable.	Check if DC input is connected firmly. If the problem persists, please contact local dealer.
Temperature or humidity accuracy is out of range.	Temperature or humidity sensor is broken.	Please contact local dealer directly.

Specifications

Model	SNMP-EMD
Nominal DC input	12VDC
DC input current	0.5 A min.
Temperature measurement range	0 ~ 100°C
Temperature measurement accuracy	±1.5°C
Humidity measurement range	10% ~ 90% RH
Humidity measurement accuracy	±3%
Communication	RS232 with ASCII protocol
Acceptable cable length	15 m
Dimension (W x D x H)	3.5 x 4.7 x 1.1 in
Weight	0.5 lbs

Input Dry Contact Terminal



Input Signal Specification

	Maximum	Minimum
Input Voltage	12V	5V