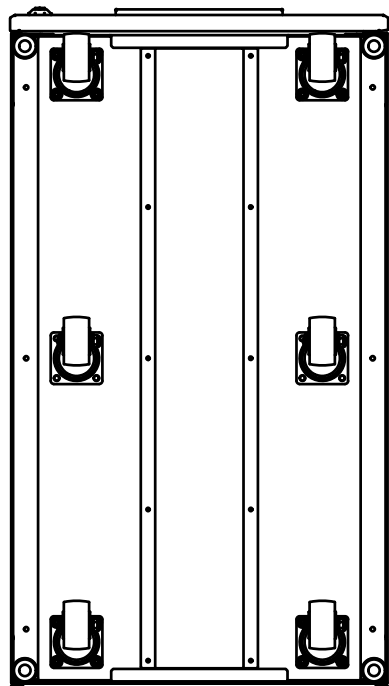


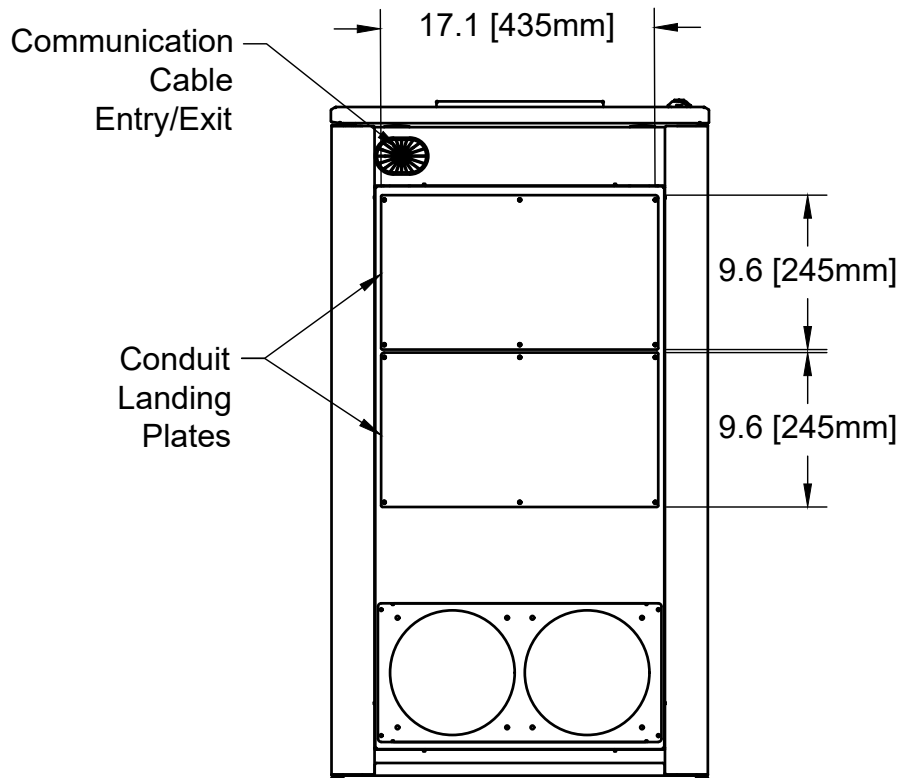
	PROJECT			X90-2S
	TITLE			X90-2S Outline Drawing 50-140kVA/kW
APPROVED	SIZE	CODE	DWG NO	REV
CHECKED	A		X90-2S-OTL-480-480	A
DRAWN	2/15/2022	SCALE 1:18	WEIGHT	SHEET 1/3



Front



Bottom



Top

Back

X-TREME
Power Conversion®

PROJECT

X90-2S

TITLE

X90-2S Outline Drawing 50-140kVA/kW

APPROVED

CHECKED

DRAWN

SIZE

CODE

DWG NO

REV

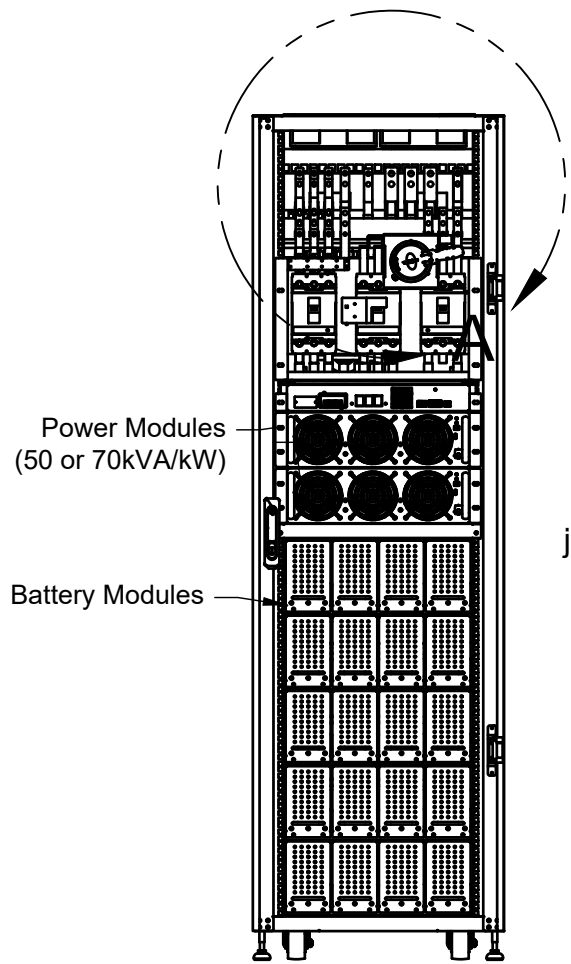
2/15/2022

SCALE 1:12

WEIGHT

SHEET 2/3





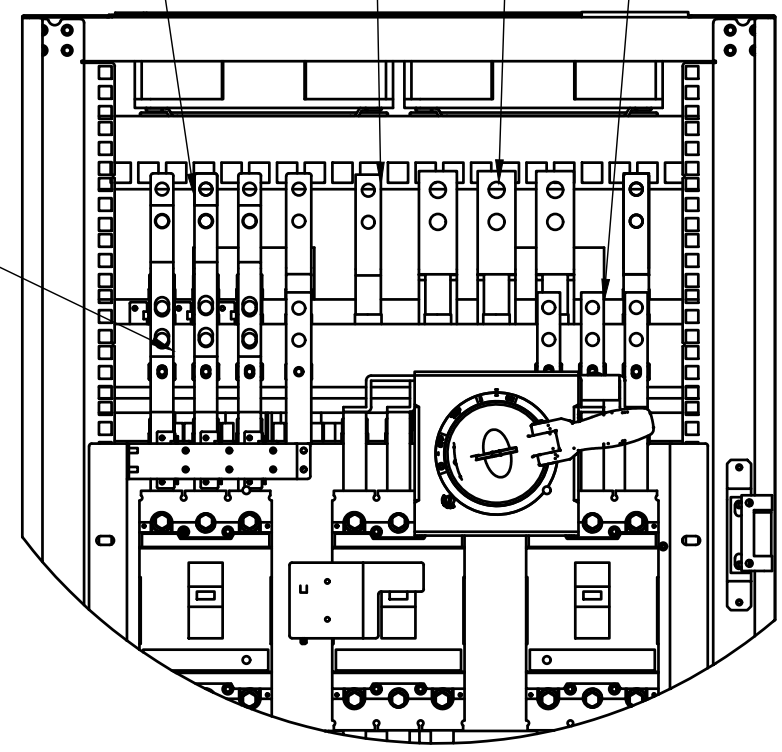
Input Terminals R, S, T

Ground

Battery Terminals +, N, -

Output Terminals R, S, T

Bypass Terminals
R, S, T (Factory
jumpered to Input)



		PROJECT X90-2S		
		TITLE X90-2S Outline Drawing 50-140kVA/kW		
APPROVED	SIZE	CODE	DWG NO	REV
CHECKED				
DRAWN	2/15/2022	SCALE 1:18	WEIGHT	SHEET 3/3