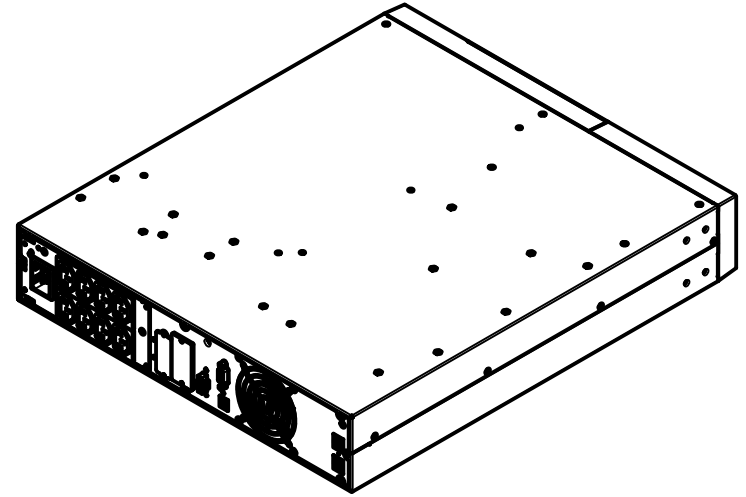




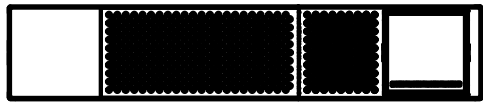
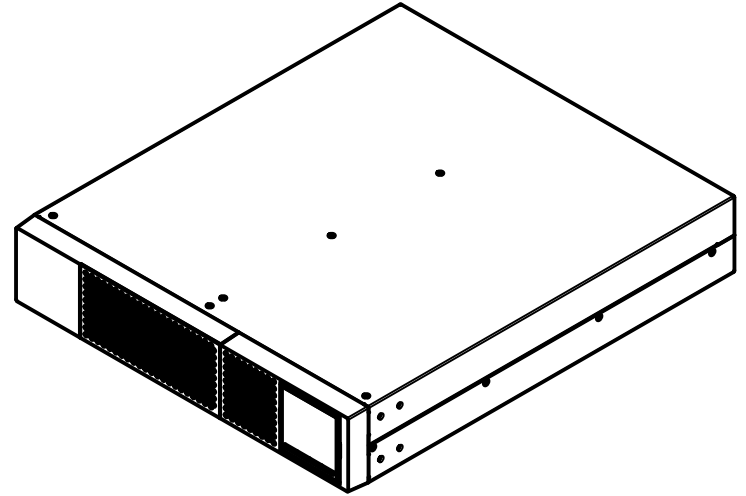
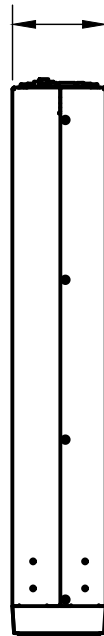
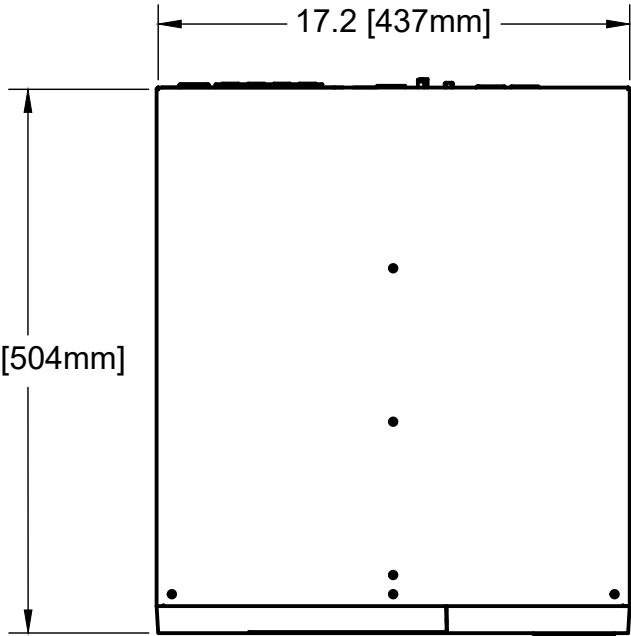
Rear



17.2 [437mm]

3.4 [86mm]

19.8 [504mm]



Front

X-TREME
Power Conversion®

PROJECT
P91g

TITLE
P91g-2000 Outline Drawing

APPROVED

CHECKED

DRAWN JB

2/15/2024

SIZE

A

CODE

DWG NO

P91g-2000-OTL

REV

0

SCALE 1:7

WEIGHT

SHEET 1/1

